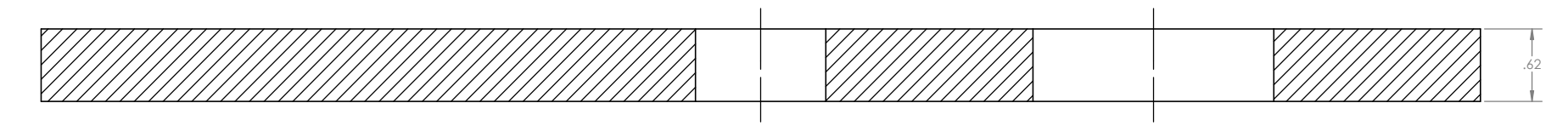
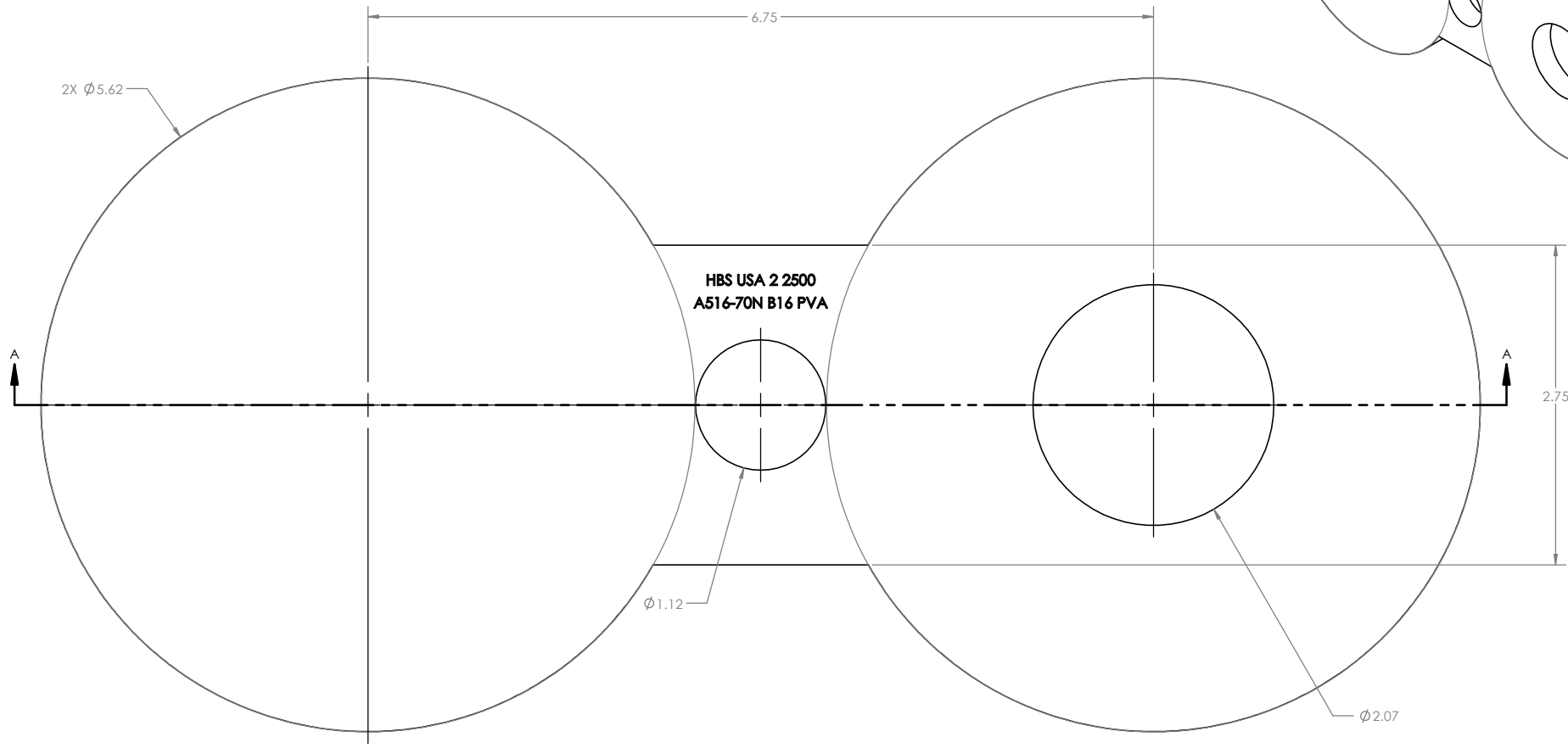
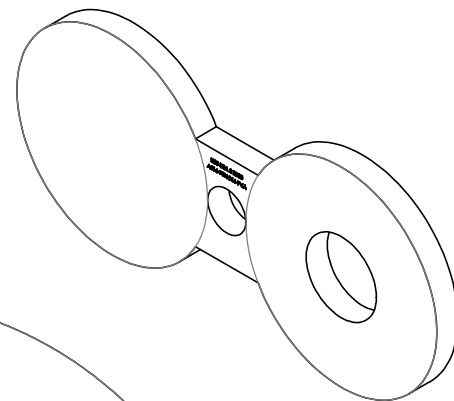


4


3

2

1



SECTION A-A

DO NOT SCALE PRINT		UNLESS OTHERWISE SPECIFIED: OUTSIDE DIAMETER: (+/-0.12) INSIDE DIAMETER: (+/-0.12) THICKNESS TOLERANCES (-ZERO +0.12) ALL UNITS IN INCHES OR POUNDS		HYDROBLIND -ISOLUTIONS
		SHEET 1 OF 1		
MATERIAL: CUSTOMER REQUESTED		DATE: 07/07/2020		DRAWING TITLE: 2 CL 2500 FIGURE 8 BLIND
SCALE 1:0.7	SIZE C	DIMENSIONS & TOLERANCES TO BE IN ACCORDANCE WITH ASME B16.48	WEIGHT 8 lb	REV 00
		DRAWING NUMBER: GSBK		

4

3

2

1

D

D

C

C

B

B

A

A